



MILBANK
ENERGY AT WORK

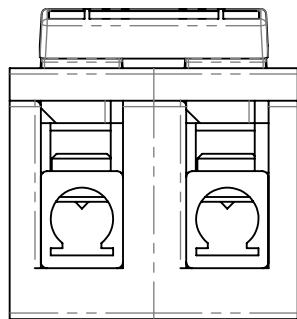
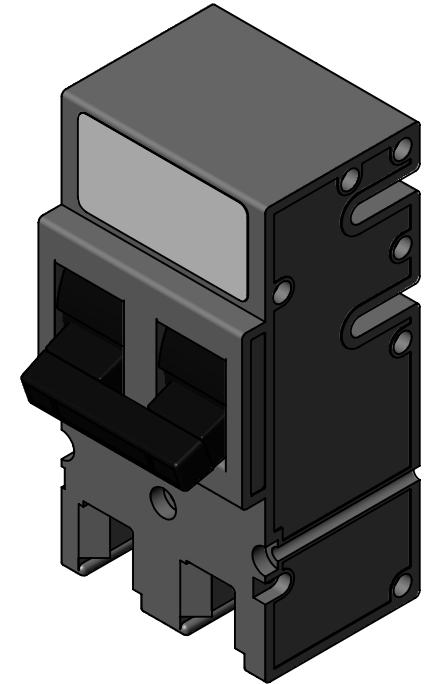
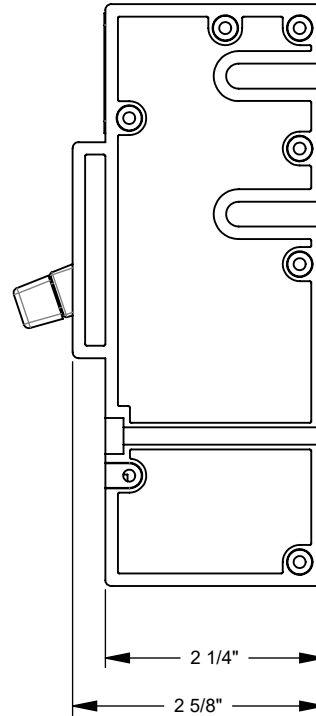
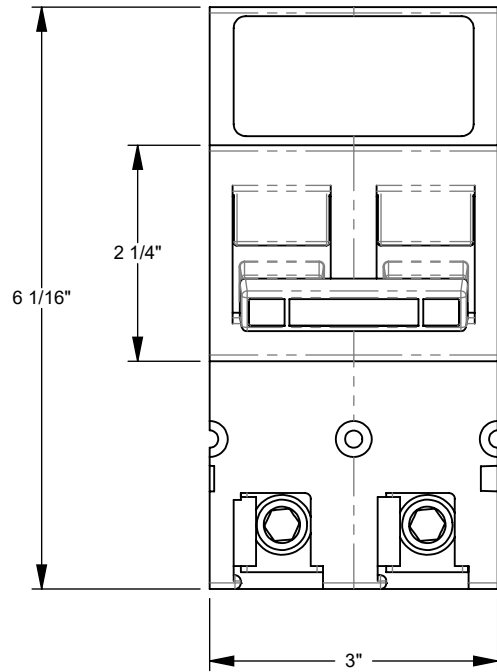
UQFP-175



Catalog Number	UQFP-175
Marketing Product Description	Milbank 175 Ampere 2 Pole 240 Volt Plug-in 10k Ampere Interrupting Capacity
UPC	784572146525
Length (IN)	3.281
Width (IN)	3
Height (IN)	6.063
Weight (LB)	3
Brand Name	Milbank
Type	Current Interrupting Device
Special Features	Plug On
Application	Metering Accessory
Standard	UL Listed
Voltage Rating	240 Volts Alternating Current
Current Rating	175 Ampere
Frequency Rating	60 Hertz
Number of Phases	1 Phase
Frame	F-Frame
Trip Type	Thermal Magnetic
Interrupt Rating	10,000 Ampere Interrupting Capacity
Number Of Poles	2
Actuator	Lever

Connection	Bus to Lug
Auxiliary Contacts	No Auxiliary Contacts
Material	Non Metallic
Operating Temperature	40 Degrees Celsius

Please consult serving utility for their requirements prior to ordering or installing, as specifications and approvals vary by utility and may require local electrical inspector approval. All installations must be installed by a licensed electrician and must comply with all national and local codes, laws and regulations. Milbank reserves the right to make changes in specifications and features shown without notice or obligation.



MILBANK
ENERGY AT WORK

**All dimensions are +/- 1/16".
Drawing views are not to scale.**

Version:

1

Please consult serving utility for their requirements prior to ordering or installing, as specifications and approvals vary by utility, and may require local electrical inspector approval. All installations must be installed by a licensed electrician and must comply with all national and local codes, laws and regulations. Milbank reserves the right to make changes in specifications and features shown without notice or obligation.